

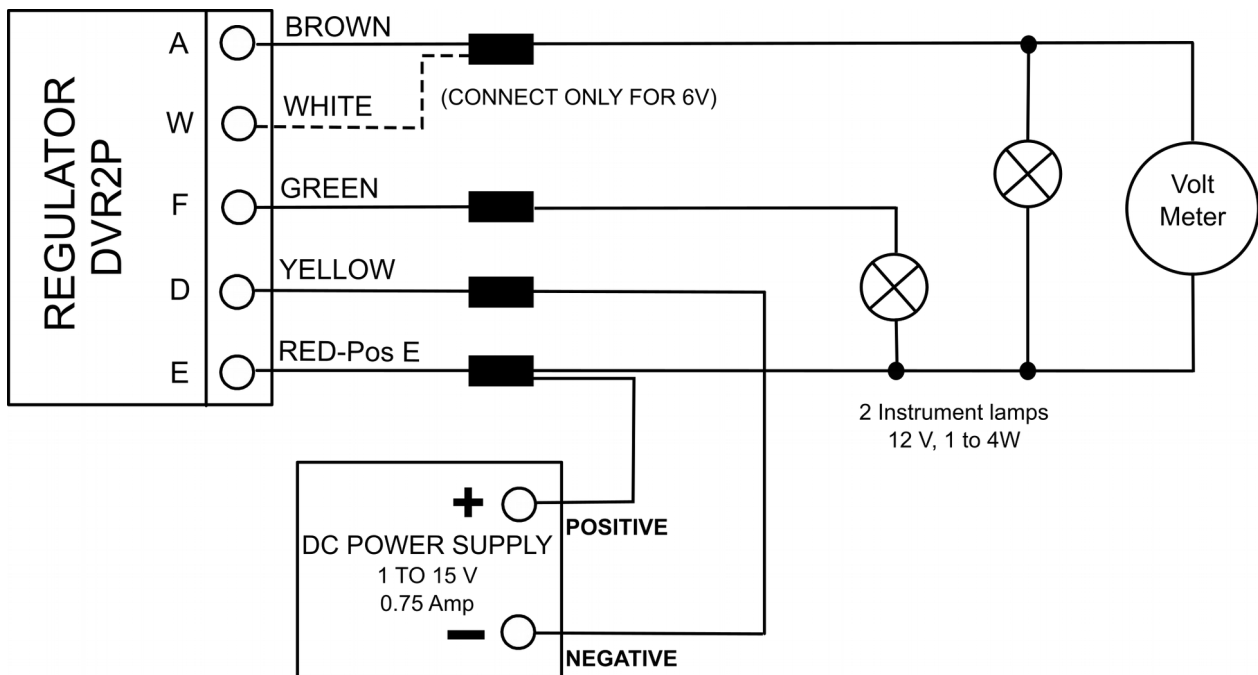
This procedure demonstrates correct operation of the regulator function (field switching at correct threshold point) of the DVR2

Note that this is more of a confidence check and not a comprehensive performance validation for the regulator. It may come in useful as a way of checking regulator operation following it not working when correctly connected to a dynamo which definitely works well.

Incorrect connection of the power supply may cause damage to the regulator. Use only by electrically competent persons strongly recommended!

Positive earth unit test circuit connections:

(Take special care with the power supply polarity)



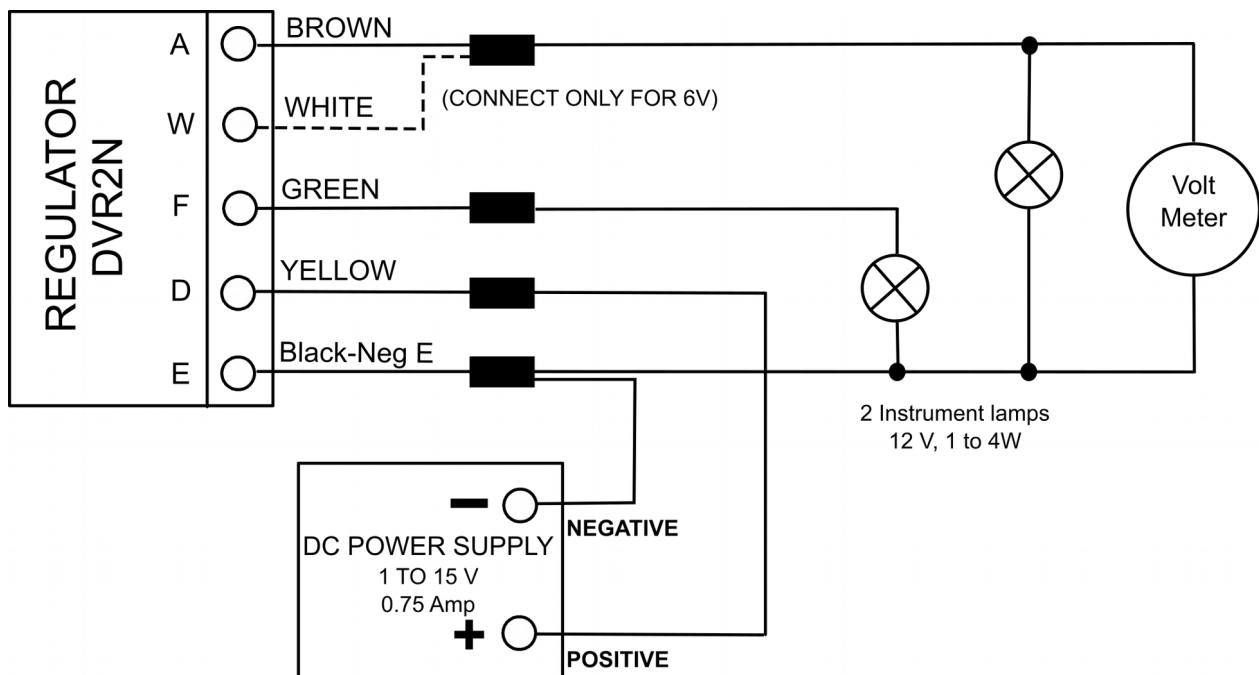
Set Power supply current limit to 0.5 Amps

1. Set Power Supply to minimum voltage and switch on
2. Slowly increase voltage. At about -2 V the lamps will begin to glow
3. Note the Voltage when the Field lamp (green wire) flickers or just goes out.
 - a. for 6 V operation with White wire connected to Brown A wire:
Voltage is between -7.0 V and -7.4 V for a good unit
 - b. for 12 V operation with White wire disconnected:
Voltage is between -14.0 V and -14.4 V for a good unit

Next page for **Negative Earth** unit test

Negative earth unit test circuit connections:

(Take special care with the power supply polarity)



Set Power supply current limit to 0.5 Amps

3. Set Power Supply to minimum voltage and switch on
4. Slowly increase voltage. At about 2 V lamps will begin to glow
4. Note the Voltage when the Field lamp (green wire) flickers or just goes out.
 - a. for 6 V operation with White wire connected to Brown A wire:
Voltage is between 7.0 V and 7.4 V for a good unit
 - b. for 12 V operation with White wire disconnected:
Voltage is between 14.0 V and 14.4 V for a good unit

